

The supply of clean fuel to the engine is essential to marine safety and to avoid mechanical breakdowns. Even fresh fuel can be sufficiently contaminated by water or other impurities so as to cause engine failure. Rust in the fuel tanks or fuel lines can be another cause of such breakdowns. A fuel system with stainless steel tank, copper fuel pipes or rubber fuel hoses and water separating filter averts the problem.



23.28
FILTER ELEMENT

23.24
FUEL FILTER/WATER SEPARATOR



Regularly check the filter in the same way as other check points on the engine. Store the spare filter kit on board and replace regularly in conjunction with maintenance service.



23.1 2007

23.1
FUEL LINE KIT

Part no. 827912-7. General purpose kit for the installation of the fuel system.

The kit contains: 5 metres copper tubing, annealed, external diameter 5/16", 15 pipe clips, with screws, 3 union nuts, 1 fuel cock, 1 angled connector with 1/8" thread for tank connection, 2 connectors.



23.2-3 2008

23.2
COPPER PIPE, 5/16"

Part no. 954305-9. Copper pipe, annealed.

External diameter: 5/16"
Length: Sold per metre

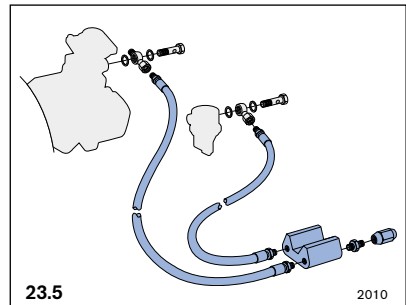
23.3
COPPER PIPE, 3/8"

Part no. 1140062-9. Copper pipe, annealed.

External diameter: 3/8"
Length: 25 metres

23.4
FUEL HOSE, 3/8"

Part no. 861057-8. Fuel hose, fire resistant in accordance with ISO 7840. Supplied per metre. Recommended stainless steel hose clips, part no. 961664-0.

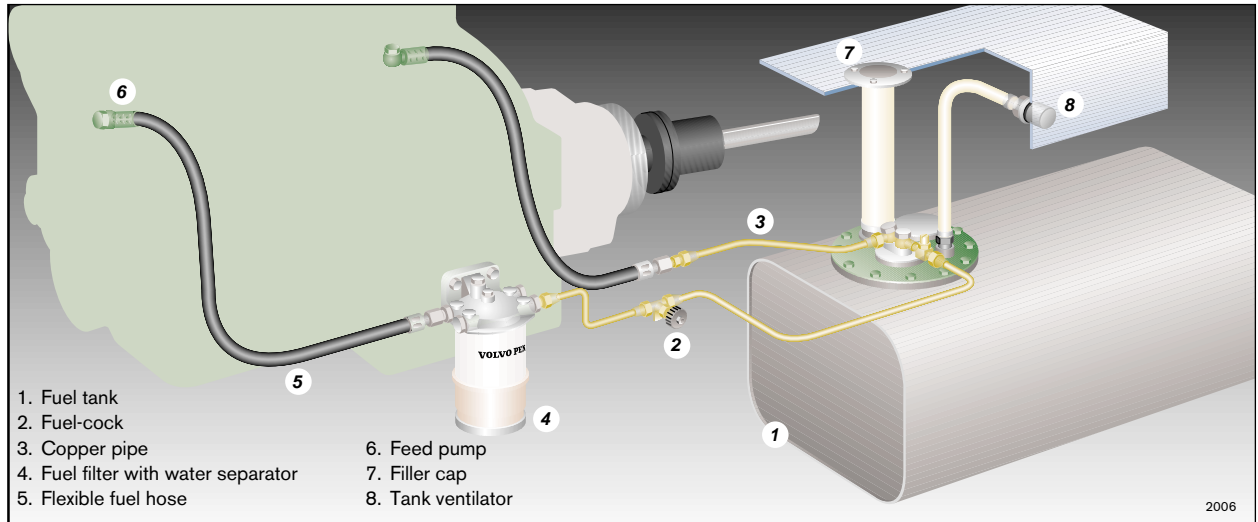


23.5 2010

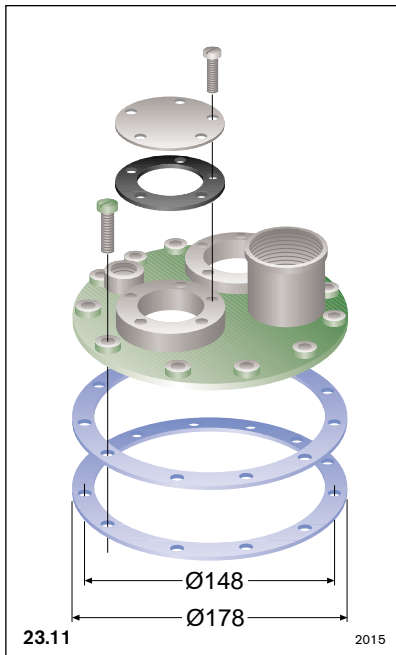
23.5
FUEL HOSE KIT

Part no. 861060-2. Fuel hose for feed and return lines, with coupling for connection to 3/8" copper fuel line.

The kit contains: 2 Fuel hoses, (length = 900 mm), 2 union nuts, 2 connectors, conical threads, 1 pipe coupling, installation instructions.



2006



23.11 SEPARATE CONNECTION PLATE FOR FUEL TANK

Part no. 11140063-7. This connection plate is intended for use in conjunction with custom manufactured fuel tanks and offers a single point for all essential connections.

The kit contains: Filler pipe, external diameter 52 mm, with pre-formed collar for hose connection as well as internal threading R1 1/2" for pipe or hose connection, connection for bleed valve, threaded, R1/2", blind cover plate covering the fuel gauge sensor connection, connection for return line, M14x1.5, earthing cable terminal.

Note! Suction pipes are not included and must be ordered separately.



23.12-14 SUCTION PIPES FOR CONNECTION PLATE

Pos.no.	Part no.	Length
23.12	828341-8	242 mm
23.13	828372-3	333 mm
23.14	828373-1	458 mm



23.18 WATER SEPARATOR *

Part no. 833972-3. The water separator is intended for installation between the fuel tank and engine. Any water or other impurities that have accumulated, can simply be drained off by means of the drain valve on the underside of the container.

Height approx.: 180 mm

Width approx.: 100 mm

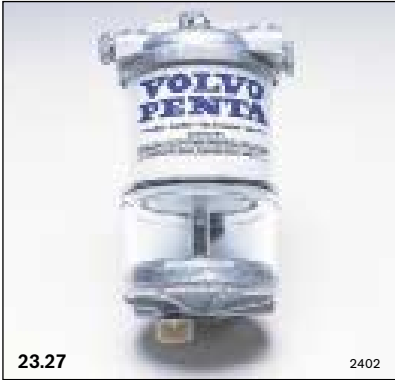
Depth approx.: 95 mm

The kit contains: Water separator, union nuts and connectors for 5/16" and 3/8" flanged copper pipe.

23.104 WATER SEPARATOR*

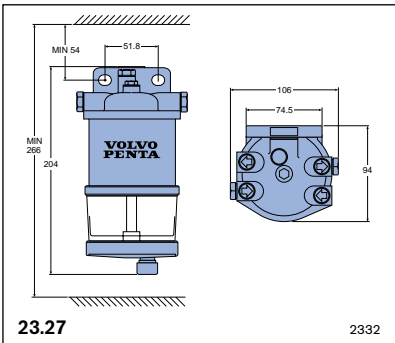
Part no. 833971-5 *. Water separator, same as 23.18, without union nuts and connectors. These should be ordered separately.

* The product may not be installed in boats intended to be CE-marked.



23.27

2402



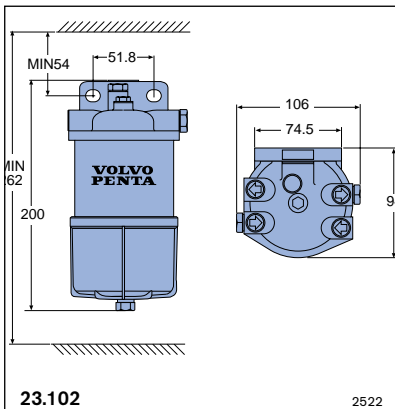
23.27

2332



23.102

2534



23.102

2522

23.27 FUEL FILTER/WATER SEPARATOR FOR SMALL DIESEL ENGINES *

Part no. 1140639-4. The filter is intended for installation between the fuel tank and the engine. In the lower container/sight glass, it is easy to detect whether or not water or other impurities have accumulated. Fuel filter/water separator for small diesel engines. The filter is supplied without connection parts for the fuel lines (23.101).

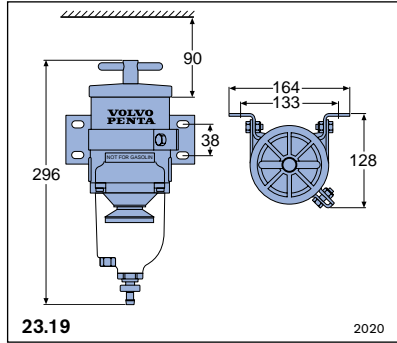
23.102 FUEL FILTER/WATER SEPARATOR FOR SMALL DIESEL ENGINES

Part no. 3582493-7. Same specification as 23.27, but all metal construction.



23.19

2263



23.19

2020

23.28 FILTER ELEMENT FOR 23.27, 102
Part no. 3581078-7.

23.19 FUEL FILTER/WATER SEPARATOR, DIESEL ENGINES *

Part no. 861143-6. The filter is intended for installation between the fuel tank and engine. Three progressive stages – separation, coagulation and filtration ensure that fuel arrives at the engine free from contamination. Water and other impurities are collected in the transparent bowl beneath, from where they can be simply drained off by means of a drain valve. The filter is ready prepared for the connection of a water alarm.

The filter is supplied without connectors or union nuts for fuel line connection (see 23.101).

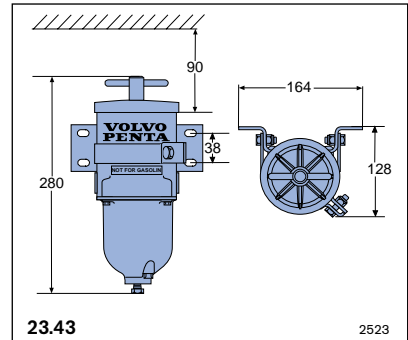
Weight: 2 kg
Flow, max.: 227 l/hour
Degree of separation: 10 micron
Initial pressure drop at max. fuel flow, 10 micron filter element: 4.1 kPa
Recommended filter: Replaceable filter element (23.21, 54)

* The product may not be installed in boats intended to be CE-marked.



23.43

2535



23.43

2523



23.21

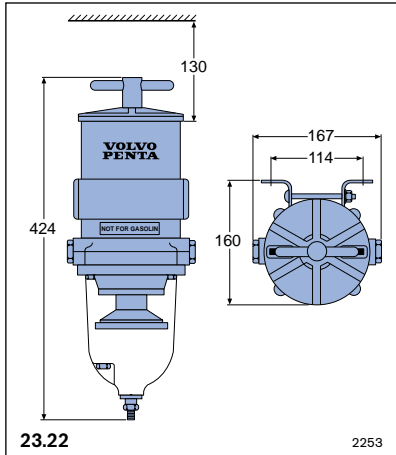
2034

23.43 FUEL FILTER/WATER SEPARATOR FOR DIESEL ENGINES

Part no. 3582350-9. Identical to filter 861143-6 (23.19), but all metal.

23.21, 54, 58 FILTER ELEMENT FOR 23.19, 43

Pos.no.	Part no.	
23.58	1147147-1	2 micron
23.21	861014-9	10 micron
23.54	3581760-0	30 micron



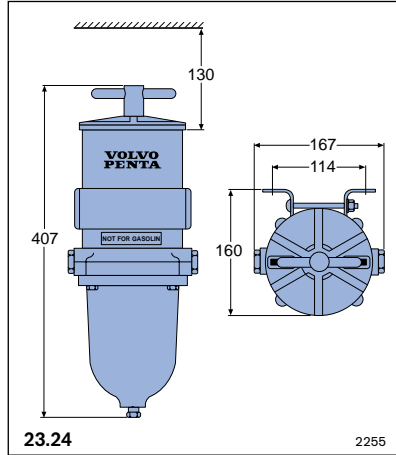
23.22
FUEL FILTER/WATER SEPARATOR,
DIESEL ENGINES*

Part no. 3825020-5. For heavier diesel engines used in demanding environments with inconsistent fuel quality. The filter is intended for installation between the fuel tank and engine. Three progressive stages – centrifugal separation, coagulation and filtration ensure that fuel arrives at the engine free from contamination. Water and other impurities are collected in the transparent bowl beneath, from where they can be simply drained off by means of a drain valve. The filter is ready prepared for the connection of a water alarm.

The filter is supplied with a 10 micron filter element, but without connectors or union nuts for fuel line connection (see 23.101).

Weight: 3 kg
Flow, max.: 341 l/hour
Degree of separation: 10 micron
Initial pressure drop at max. fuel flow, 10 micron filter element: 2.3 kPa
Recommended filter: Replaceable filter element (23.26, 56)

* The product may not be installed in boats intended to be CE-marked.



23.26, 56, 59
FILTER ELEMENT FOR 23.22, 24, 25

Pos.no.	Part no.	
23.59	3831225-2	2 micron
23.26	3825027-0	10 micron
23.56	3827508-7	30 micron

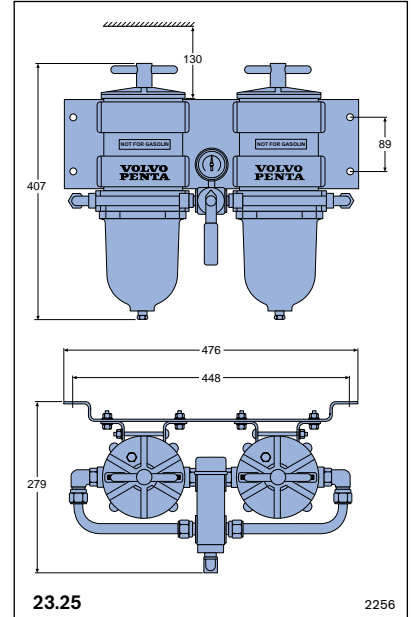
23.24
FUEL FILTER/WATER SEPARATOR,
DIESEL ENGINES

Part no. 3825018-9. For heavier diesel engines used in demanding environments with inconsistent fuel quality.

The filter is intended for installation between the fuel tank and engine. Three progressive stages – separation, coagulation and filtration ensure that fuel arrives at the engine free from contamination. Water and other impurities are collected in the bowl beneath, from where they can be simply drained off by means of a drain valve. All metal filter. Filter is adapted for connecting to water alarm. Complies with US Coast Guard standards for 2.5 minutes fire resistance in open flames.

The filter is supplied with a 10 micron filter element, but without connectors or union nuts for fuel line connection (see 23.101).

Weight: 3 kg
Flow, max.: 341 l/hour
Degree of separation: 10 micron
Initial pressure drop at max. fuel flow, 10 micron filter element: 2.3 kPa
Recommended filter: Replaceable filter element (23.26, 56)



23.25
DOUBLE FUEL FILTER/WATER
SEPARATOR, DIESEL ENGINES

Part no. 3825022-1. For heavier diesel engines used in demanding environments with inconsistent fuel quality.

All metal double filter with pressure gauge showing the pressure drop. Connections can be made between left hand, right hand or both filters, thus making it possible to change filter elements with the engine running. The filter thereby complies with Classification Association standards for propulsion engine fuel systems as well as the US Coast Guard standards for 2.5 minutes fire resistance in open flames. Filter is adapted for connecting to water alarm.

The filter is supplied with a 10 micron filter element, but without connectors or union nuts for fuel line connection (see 23.101).

Weight: 10.4 kg
Flow, max.: 682 l/hour
Degree of separation: 10 micron
Initial pressure drop at max. fuel flow, 10 micron filter element: 12.4 kPa
Recommended filter: Replaceable filter element (23.26, 56)



23.51

2453



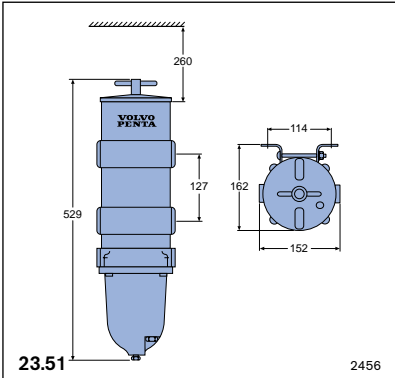
23.53

2455



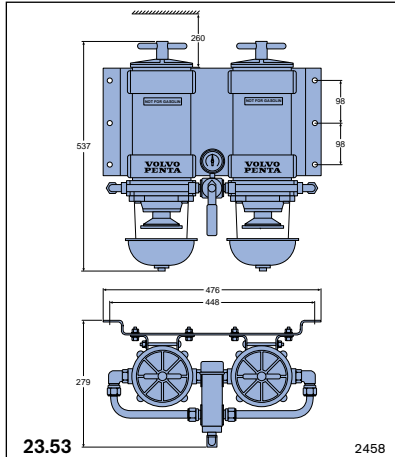
23.55, 57

2459



23.51

2456



23.53

2458

23.51**FUEL FILTER/WATER SEPARATOR, DIESEL ENGINES**

Part no. 3827304-1. For heavier diesel engines used in demanding environments with inconsistent fuel quality. The filter is intended for installation between the fuel tank and engine. Three-stage filtration – centrifugal separation, coagulation and filtration. Water and impurities are collected in the bowl beneath, from which they can be drained off by means of a drain valve. All metal construction. Complies with US Coast Guard requirements for fire resistance on exposure to naked flame for 2.5 minutes. Filter is adapted for connecting to water alarm. Filter is supplied with a 10 micron filter element, but without connectors for fuel line connection (see 23.101).

Weight: 5 kg

Flow, max: 681 l/hour

Degree of separation: 10 micron

Initial pressure drop at max. fuel

flow, 10 micron filter element: 3.4 kPa

Recommended filter: Replaceable filter element, 23.55, 57

23.53**FUEL FILTER/WATER SEPARATOR, TWIN FOR DIESEL ENGINES ***

Part no. 3827306-6. For heavier diesel engines used in demanding environments with inconsistent fuel quality. Twin filter with gauge that indicates pressure drop. Transparent bowls fitted with heat shields. Can be connected to right, left or both filters to allow filter replacement while running. Complies with classification body requirements for fuel systems for propulsion engines. Also complies with US Coast Guard requirements for fire resistance on exposure to naked flame for 2.5 minutes. The filter is supplied with a 10 micron filter element, but without connectors for fuel line connection (see 23.101).

Weight: 11.3 kg

Flow, max: 1363 l/hour

Degree of separation: 10 micron

Initial pressure drop at max. fuel

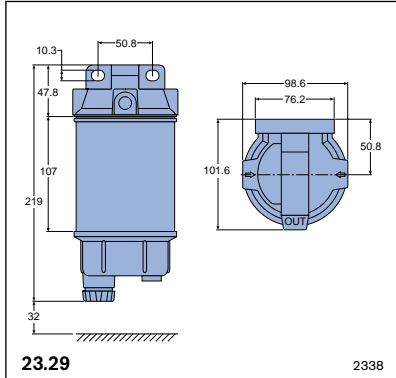
flow, 10 micron filter element: 24.1 kPa

Recommended filter: Replaceable filter element, (23.55, 57)

* The product may not be installed in boats intended to be CE-marked.

23.55, 57, 60
FILTERS FOR 23.51, 53

Pos.no.	Part no.	
23.60	3831224-5	2 micron
23.55	3827277-9	10 micron
23.57	3827278-7	30 micron

**23.29****EXTRA FUEL FILTER, PETROL ENGINES**

Part no. 857632-4. The filter should be installed in the fuel line between the tank and the engine for additional filtration. The filter element is of the disposable spin-on type.

The filter is supplied with a 10 micron filter element, but without connectors or union nuts for fuel line connection (see 23.101).

Weight: 0.9 kg

Flow, max: 227 l/hour

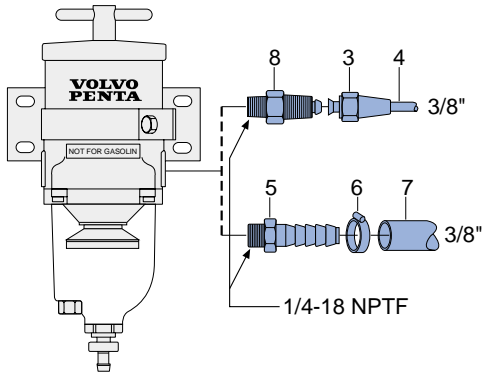
Degree of separation: 10 micron

Recommended filter: Replaceable filter element, (23.30)

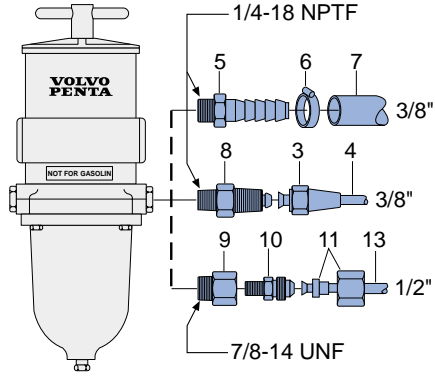
**23.30****FILTER ELEMENT FOR 23.29**

Part no. 857633-2. Spin-on disposable filter, 10 micron.

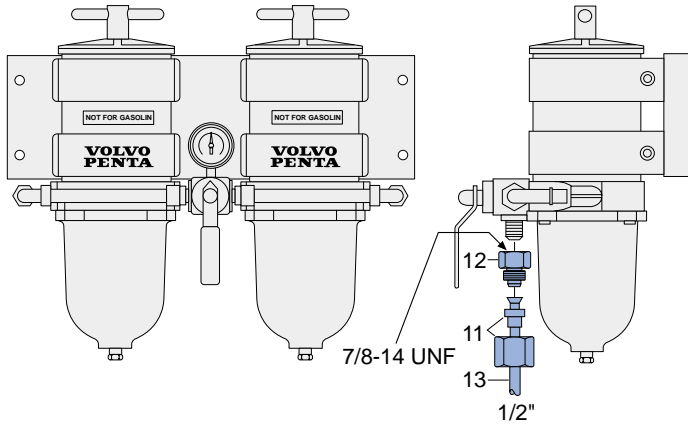
23.19, 43



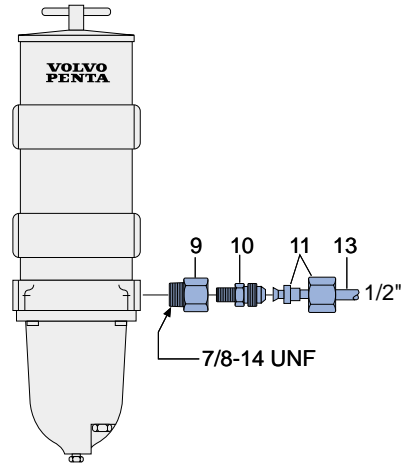
23.22, 24



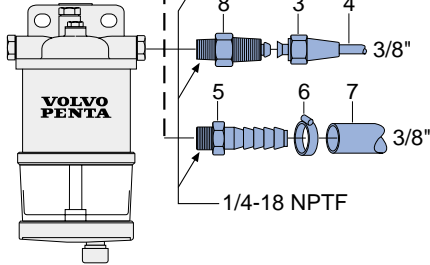
23.25, 53



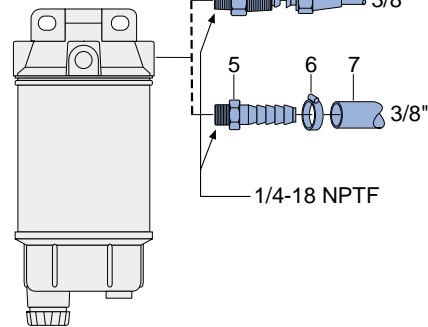
23.51



23.27, 102



23.29



23.101

2524

**23.101
FUEL LINE FITTINGS**

Part no.	Description
1	954322-4 Union nut 5/16"
2	828227-9 Copper pipe 5/16" (23.2)
3	954323-2 Union nut 3/8"
4	1140062-9 Copper pipe 3/8" (23.3)
5	834781-7 Hose connector
6	961664-0 Hose clamp
7	861057-8 Fuel hose 3/8" (23.4)
8	954337-2 Connector 3/8"
9	3825034-6 Adapter fitting
10	3825512-1 Connector 1/2"
11	3825513-9 Union nut 1/2"
12	3825511-3 Adapter fitting
13	Copper pipe 1/2", not stocked by Volvo Penta
14	190962-1 Connector 5/16"